



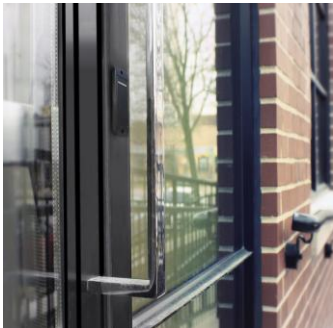
Maximum RFID

# XR-3600™ UHF Card Reader



AWID's XR-3600 UHF Mullion-Mounting Reader is the link between card access by people at doors in buildings, and vehicle access at gates for parking. The XR-3600 reads the same UHF hand-held cards and tags that drivers use for vehicle identification and gate control at a parking facility. These cards and tags are compatible with AWID's LR-2000, LR-2200 and LR-3000 long-range readers and their "HiLo" sets. The enclosure is a striking, deep black design.

**Installation** The XR-3600 reader fits perfectly on a door frame or window mullion, a wall, or other surface, using two screws (supplied). With simultaneous Wiegand and RS-232 data output, the XR-3600 reader can be interfaced for a wide variety of access control, special system control, and cardholder identification applications.



**Features** The reader's 2-color LED and beeper are controlled by the reader itself. No external wiring is required for this feedback.

The XR-3600 is *self-testing*, using its LED and beeper as indicators. It needs no interface to a controller to show that it is performing correctly. The reader can be demonstrated with nothing more than a DC power source (even a battery) and a card or tag.

**Operation** The XR-3600 reader operates in "repeat read" mode. While a card or tag is held in the reader's read range, it transmits the card's code twice every second. Repeated LED and beeper signals alert the user to remove the card from the reader.

**Environment** The XR-3600 may be installed indoors or outdoors. The reader is secure when its cover is in place after installation. The electronic circuits are protected from moisture. The reader may be exposed directly to rain, water sprinklers, snow, or bright sunlight in a hot environment.

**Credentials** The hand-held cards and tags for the XR-3600 are the same as the credentials that AWID offers for its UHF long-range readers in gate applications for vehicle access. Encoding in the cards and tags has the same format and data fields as in AWID's credentials for all other reader types.

The XR-3600 serves separately as an enrolling reader for UHF vehicle tags into a gate-operating system.

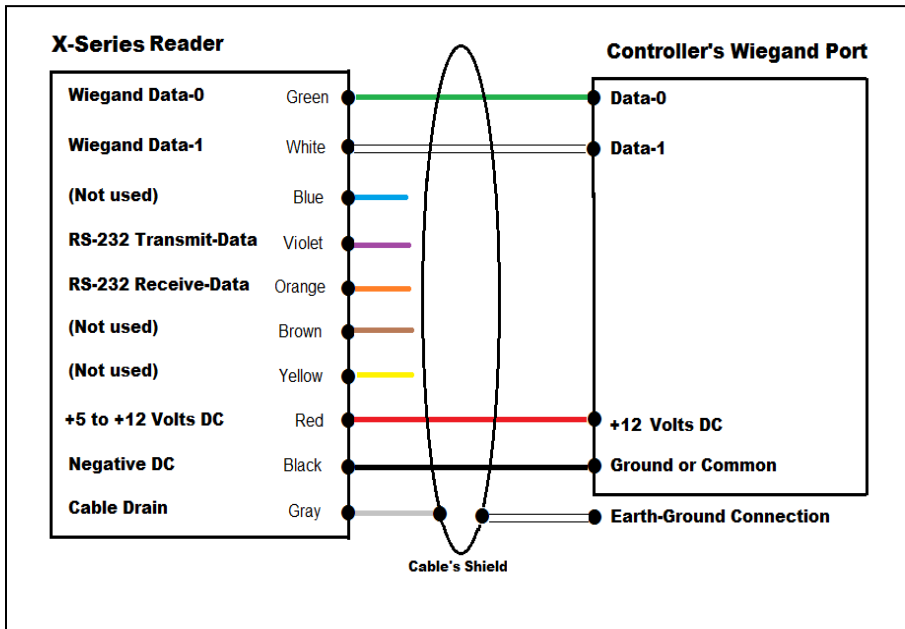
The XR-3600 reader's read range is up to 6 inches. (Mounting the XR-3600 directly on metal slightly reduces the read range.) Presenting any AWID UHF card or tag to the reader causes the beeper to sound and the LED to change color momentarily.

## FEATURES

- People access using UHF cards ...  
*Same cards for vehicles and people*
- Quick access at busy entrances ...  
*Read range up to 6 inches*
- Easy mounting ...  
*Fastens on door/window mullion or wall*
- Easy wiring for power and data ...  
*Connects like a proximity reader*
- Combines car and people access ...  
*Interfaces to common access control*
- Reader needs no programming ...  
*XR-3600 reads all AWID UHF cards*
- Compatible with access systems ...  
*Standard code formats & interfaces*
- Visible and audible feedback ...  
*Reads indicated by LED and beeper*
- Great appearance in all locations ...  
*Attractive enclosure, small size*

# XR-3600™

## UHF Card Reader



### ACCESSORIES AND SUPPLIES

- Mounting hardware—2 self-tapping screws are supplied with the XR-3600 reader.
- Power supply—The XR-3600 reader operates with voltage between +5 volts and +12 volts DC. Most controller panels provide suitable voltage and current on the "+DC Power" and "Ground" terminals. An external DC power supply (nominal +12 volts, 1 ampere, linear-rated, regulated output) may be used. Ask AWID about specifications.
- Cable for power and data – A single cable interfacing the reader to the panel should be 22 gauge, 4 conductors, **overall shielded**, stranded wires, color-coded, not twisted pairs. Using Wiegand interface, cable may be up to 500 feet long for power and data.
- Installation Sheet - Download full instructions from AWID's Web site [www.awid.com](http://www.awid.com).

### CREDENTIAL OPTIONS

- Hand-held cards and tags – Clamshell and graphics UHF cards, and keytag (use also for LR-2000, LR-2200 and LR-3000 readers). Ask AWID about selection and instructions.
- All credentials must be AWID's products that are specified for this reader model.

### OPERATING CHARACTERISTICS

#### Reading Distance:

On wall or metal – up to 6 inches

#### Frequency Band:

902 to 928 MHz

Frequency-hopping technology

#### Power Supply:

+5 to +12 volts DC supply; rated 1.0 ampere or more; linear type; regulated DC output (Panel's power terminals are OK.)

#### Communications Protocol:

Wiegand and RS-232, simultaneous

#### Code Formats:

Programmed in AWID's UHF credentials  
Reads 26-bit to 50-bit codes

#### Cable (for Wiegand Interface):

22 gauge, 4 wires, stranded, color-coded  
Overall shielded for both *power and data*  
Up to 500 feet long for Wiegand interface

### PHYSICAL CHARACTERISTICS

#### Dimensions:

1.9 x 4.8 X 0.7 inch (4.8 x 12.2 x 1.8 cm)

#### Weight:

4 ounces (113grams)

#### Material (Color):

ABS 1-part sealed enclosure (black)

#### Cable (Integrated with Reader):

10 conductors, 18 inches long  
Overall shielded, gray plastic jacket

#### Mounting (Supplied by Installer):

On mullion, wall or other surface

### ENVIRONMENT

#### Operating Temperature:

-31°F to +150°F (-35°C to +65°C)

#### Operating Humidity:

0% to 95% non-condensing

### CERTIFICATION

FCC Part 15; IC; RoHS compliant



18300 Sutter Blvd, Morgan Hill, CA95037  
Tel: (408) 825-1100 Fax: (408) 782-7402  
<http://www.awid.com>