



Power of RFID

UHF RFID Serial Interface Reader/Writer MPR-6080AR (865-868 MHz)



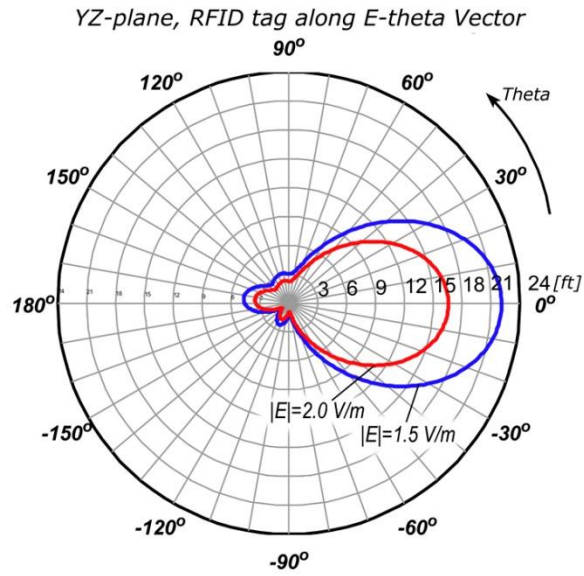
Features

- Integral Reader Patch Antenna for Easy Installation
- Host Interface – RS232
- Low Power Consumption
- Multi Protocol Capability Including ISO 18000-6 C and EPC Gen 2
- Easy Communications Protocol for Application Development
- Ruggedized Design for Indoor and Outdoor Applications

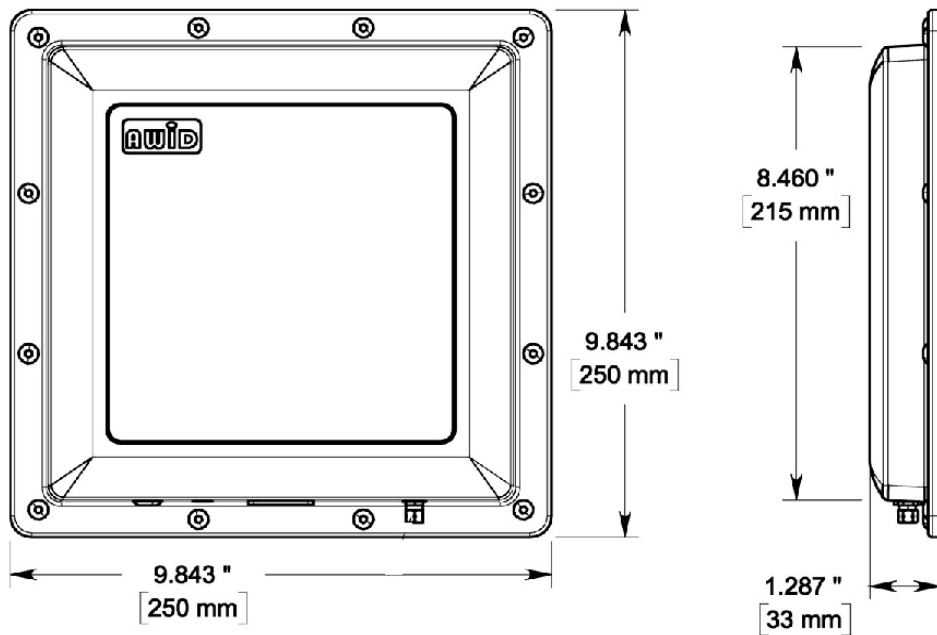
Specifications

MPR-6080AR	
Frequency	865~868 MHz, Frequency Hopping
RF Power	1 Watt Max (+30 dBm) w/ 20 dB digital control range
Read Range	25' (7.6m) – Tag & Antenna dependent <i>(Write Range: 60% of typical Read Range)</i>
Protocols	EPC C1G2, ISO 18000-6 C
Antenna Polarization	RHCP (Right Hand Circular Polarized)
Antenna Gain & Impedance	5.5 dBi maximum and 50 Ohm
Communications Interface	RS232
Power Requirements	9 VDC to 15 VDC, 15 Watt
Operating Temperature	-20°C to +50°C (-4°F to +122°F)
Weight	2.5 lb (1.134 kg)
Protection Class	IP 65 Weatherproof

Antenna Pattern (Interrogation Range)



Mechanical Drawing



* Note: Special license to operate this device may be required in certain countries. Adhere to local regulations where applicable.



18300 Sutter Blvd, Morgan Hill, CA 95037
Tel: (408) 825-1100 Fax: (408) 782-7402
<http://www.awid.com>