



Power of RFID

# MPR-1910 SERIES MODULE (865-928 MHz)

## Embedded Module Applications:

- RFID Printers
- Close Proximity RFID Readers
- Mobile Readers
- Security/Asset Portals
- Desktop Readers
- Label Applicators

## Features:

- Antenna Options - Either Integral or 2 External Mono-static
- Serial Communication
- 2 Versions with frequencies which cover all major markets
- 1W Output, 0-1W tuning at 1dB steps
- Multiple forward and reverse data link speeds
- Pre-scanned for Certification
- Dense Reader Mode
- Compact Credit Card Size
- Variable user memory access via API
- ≤10ms Wake Up Time



## Specifications

### **Power Supply Voltage:**

5.5 - 6.5V (30mV<sub>pp</sub> ripple or smaller)

### **Current Consumption:**

1.4A Peak @ 30dBm  
50mA @ standby

### **RF Output Power:**

30dBm Maximum (*See Table Below*)

### **UHF Antenna Configuration:**

Two MMCX antenna connectors  
Mono-static

### **UHF Antenna Impedance:**

UHF: 50 Ohms

### **Communication Interface:**

Serial through a flat flexible cable

### **Operating Temperatures:**

-31°F to +151°F (-21°C to +65°C)  
Metal Heat Sink Required

### **Package:**

Stainless Steel sheet metal case

### **Size:**

Overall: 2.11"x3.40"x0.40"  
Excluding connector header and screws: 2.11"x3.31"x0.35"

### **Host Communication:**

TTL: 9.6-115.2kbps (default 115.2)

### **Pre-scan tested for:**

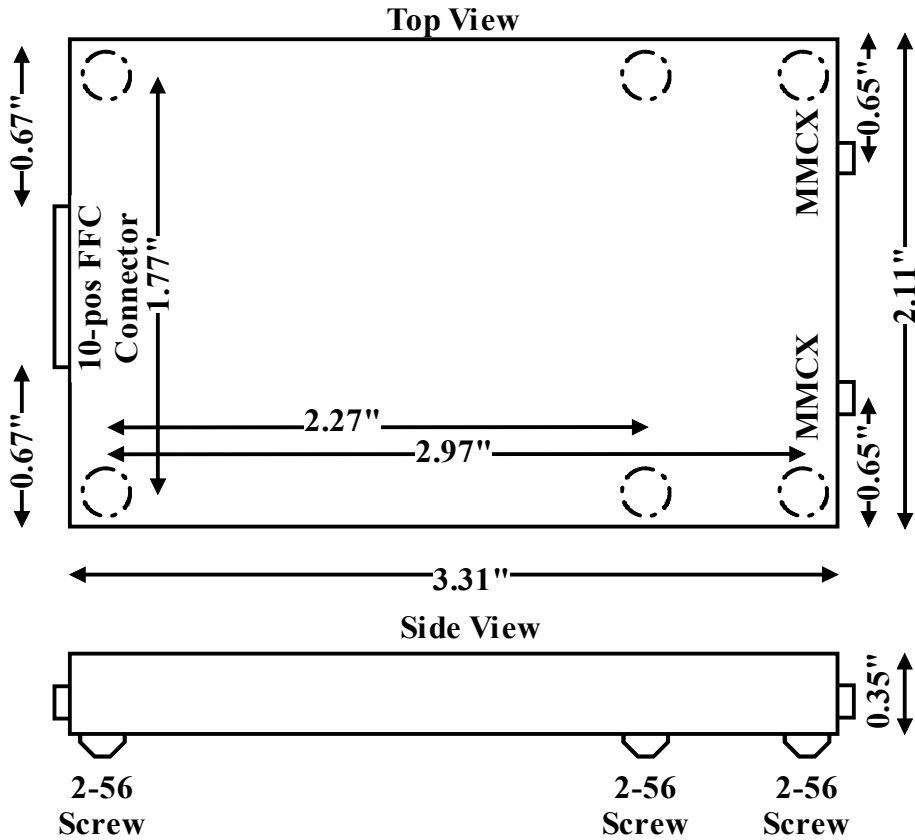
ETSI, MIC, NCC, CCC, IC, FCC

RoHS Compliant

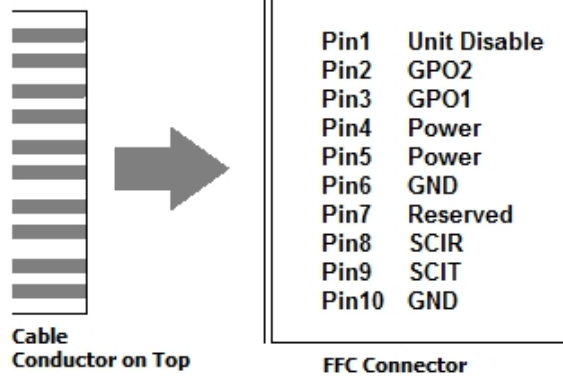
| Hardware Options          | MPR-1910RMxx-xx<br>(US, Canada, Korea, Taiwan, China)                                       | MPR-1980RMxx-xx<br>(Europe)        |
|---------------------------|---|------------------------------------|
| <b>Max RF Power</b>       | 30dBm   | 27dBm                              |
| <b>Transmit Frequency</b> | 902-928MHz (US/Canada)<br>917-920.8MHz (Korea)<br>922-928MHz (Taiwan)<br>920-925MHz (China) | 865-868MHz                         |
| <b>Protocol</b>           | ISO 18000-6-B (*)<br>ISO 18000-6 C<br>EPC Class 1 Gen 2                                     | ISO 18000-6 C<br>EPC Class 1 Gen 2 |

(\*) Contact AWID for support detail

## Dimensions and Pin Diagram



**Pin Diagram - Top View**



**AWID**

18300 Sutter Blvd., Morgan Hill, CA 95037  
Tel: (408) 825-1100 Fax: (408) 782-7402  
<http://www.awid.com>