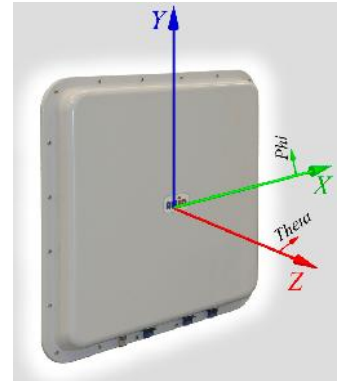




Power of RFID

High-Gain Linear Polarized Antenna for RFID ANT-915LA2x2 (902-928 MHz)



ANT-915LA2x2

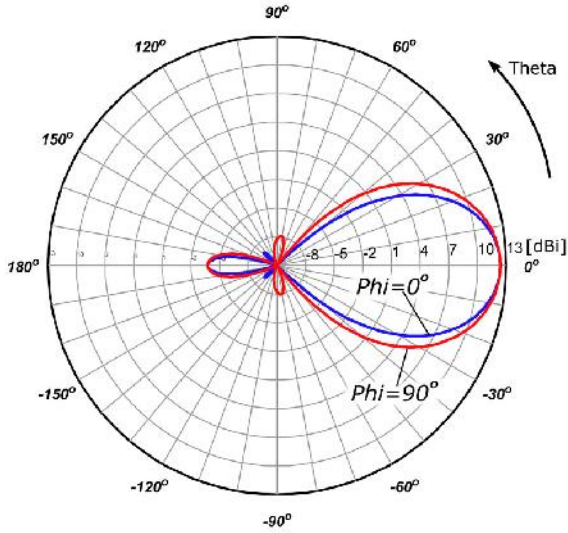
Features

- Maximum achieved realized gain and frequency bandwidth within moderate volume
- Deviation of Maximum Gain: less than ± 0.12 dB in Z direction within operational frequency band
- Variation of Maximum Gain: less than ± 0.5 dB within frequency band 882-954MHz
- Very low reflection of transmitter signal into receiver – return loss more than 23dB
- Light - weighs 123 oz (3480 g)

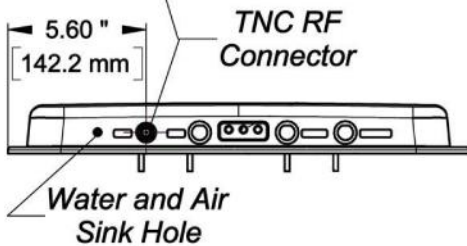
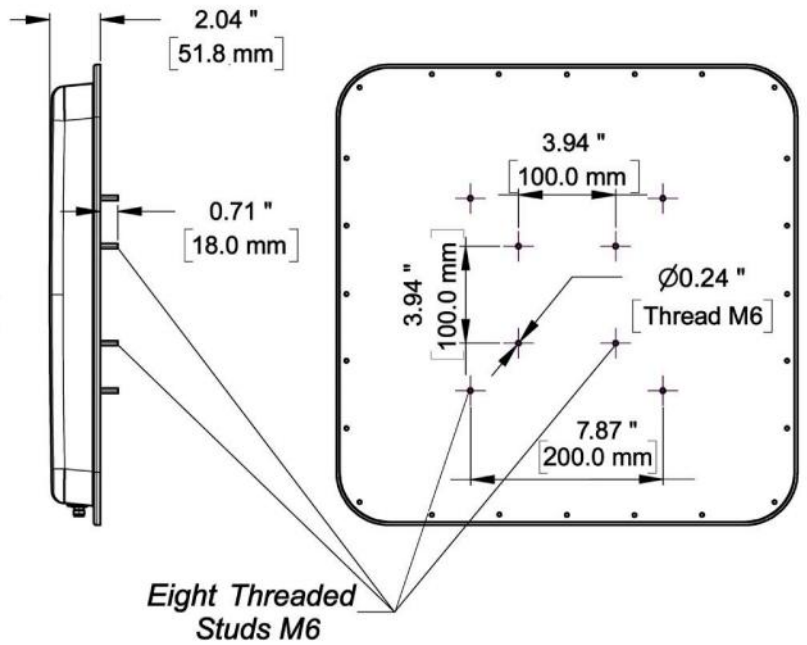
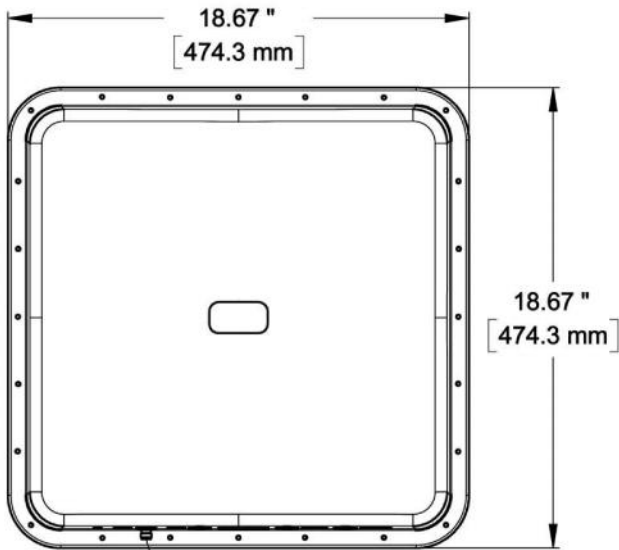
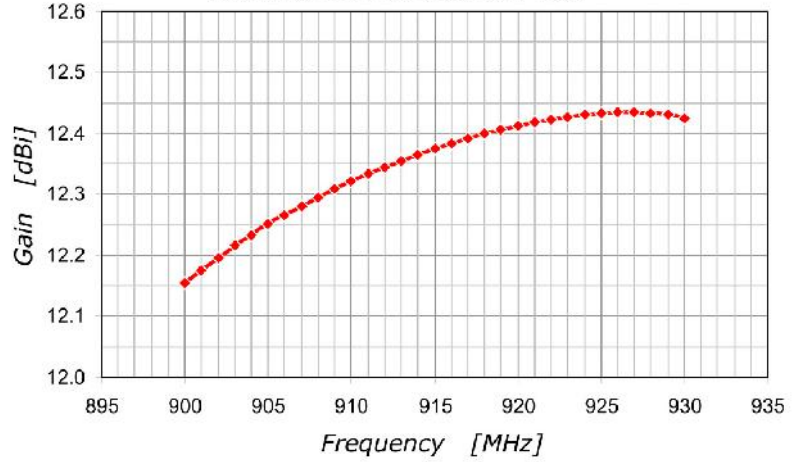
Specifications

Operational Frequency Band	902 - 928 MHz
Polarization	HLP (Horizontal Linear Polarization)
Peak of Linear Polarized Realized Gain	+12.43 dBi
Front to Back Ratio of Radiation	16.1 dB
Width of radiation pattern at -3dB from maximum	36° ($\pm 18^\circ$)
Width of radiation pattern at -1dB from maximum	22° ($\pm 11^\circ$)
Maximum input VSWR	1.15
Maximum Input Power	5.0 Watt
Weight	123 oz (3480 g)
Protection Class	IP 66 Weatherproof

Realized Gain E-x



Maximum Realized Gain E-x



Dimension of Antenna



18300 Sutter Blvd., Morgan Hill, CA 95037
 Tel: (408) 825-1100 Fax: (408) 782-7402
<http://www.awid.com>