

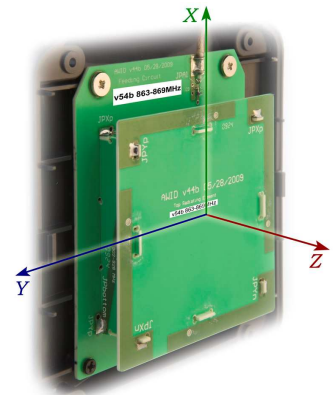


Power of RFID

Compact Circular Polarized Antenna for RFID ANT-867CP-0.5 (863-869 MHz)

Features

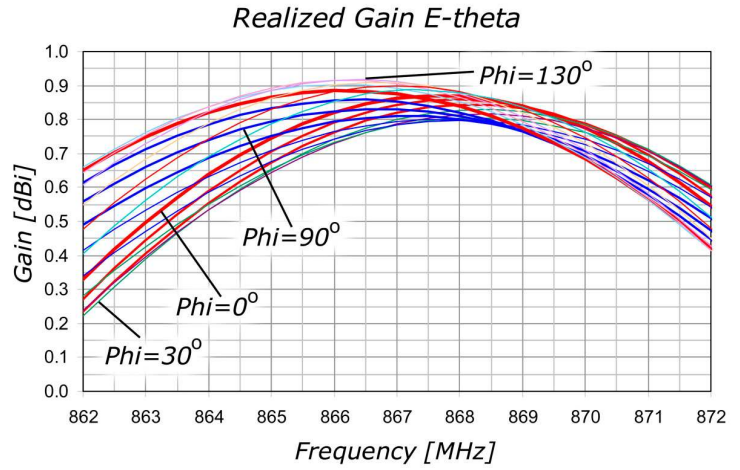
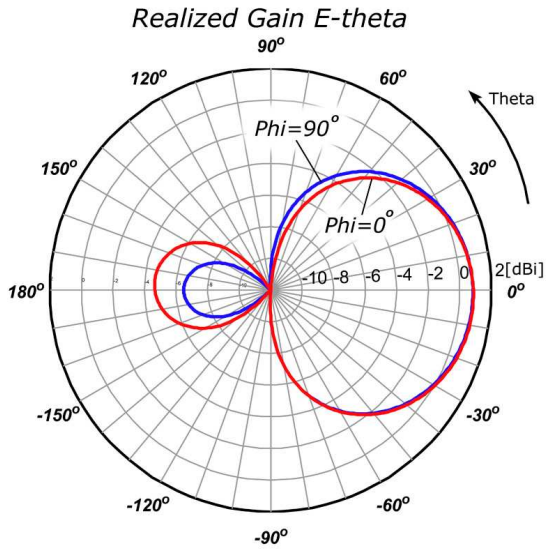
- Maximum achieved realized gain and frequency bandwidth within small volume
- Variation of Maximum Gain: less than $\pm 0.27\text{dB}$ in Z direction at any Phi angle within operational frequency band
- Variation of Maximum Gain: less than $\pm 0.5\text{dB}$ within frequency band 859-876MHz at fixed Phi angle
- Very low coupling of transmitter signal into receiver – isolation is more than 18dB
- Extremely Light Weight - 0.7 oz (20 g)



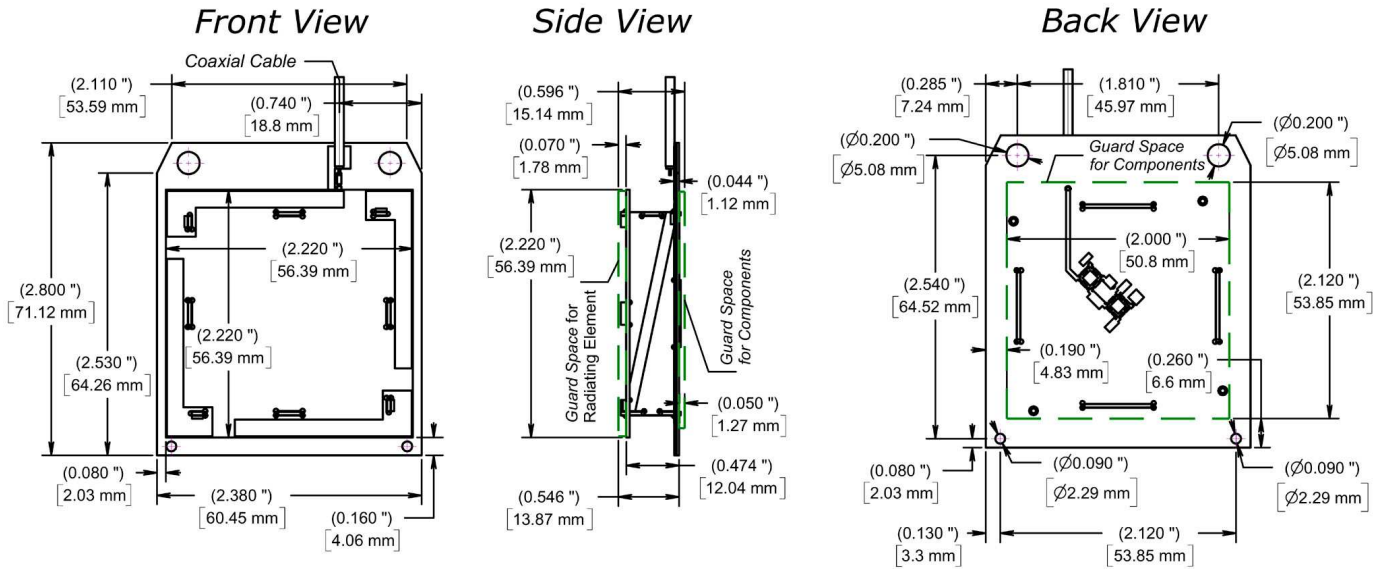
ANT-867CP-0.5

Specifications

Operational Frequency Band	863 - 869 MHz
Polarization	RHCP
Peak of Linear Polarized Realized Gain	+0.91 dBi
Maximum Axial Ratio at the bore-sight direction	0.5 dB
Width of radiation pattern at -3dB from maximum	102° ($\pm 51^\circ$)
Maximum input VSWR	1.30
Maximum Input Power	2.0 Watt
Weight	0.7 oz (20 g)
Protection Class	Enclosure dependent



Dimensions of antenna



AWID

18300 Sutter Blvd., Morgan Hill, CA 95037
Tel: (408) 825-1100 Fax: (408) 782-7402

<http://www.awid.com>