

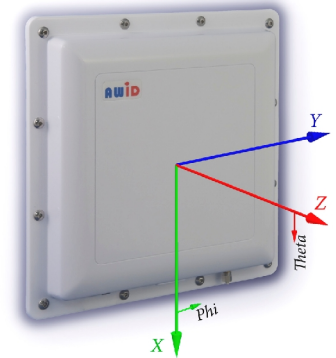


Power of RFID

Circular Polarized Antenna for RFID ANT-915-CP-R (902-928 MHz)

Features

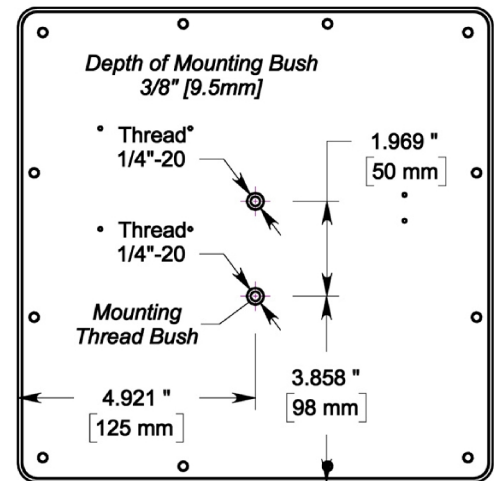
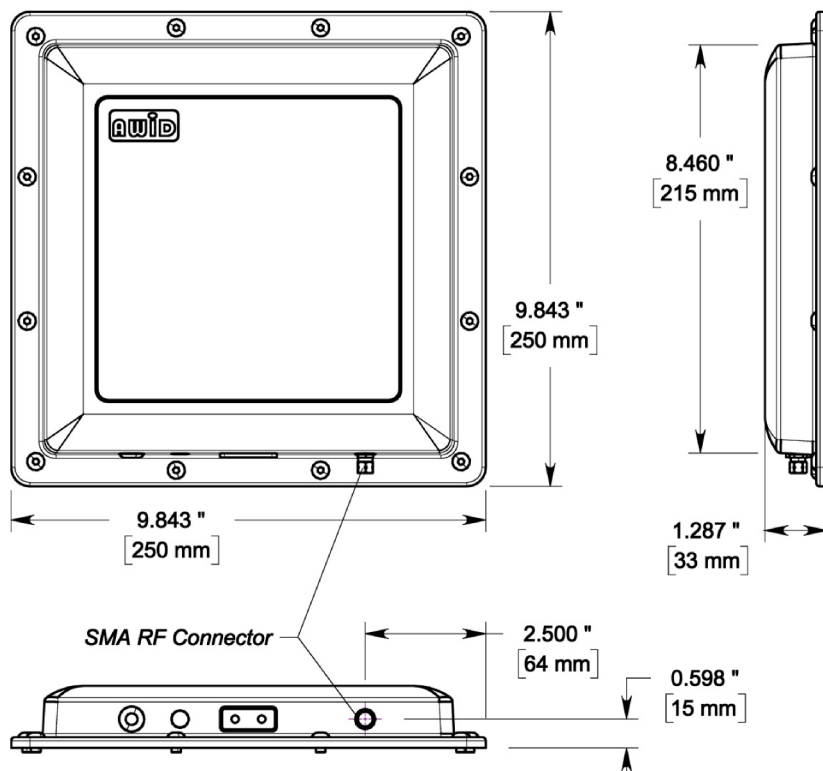
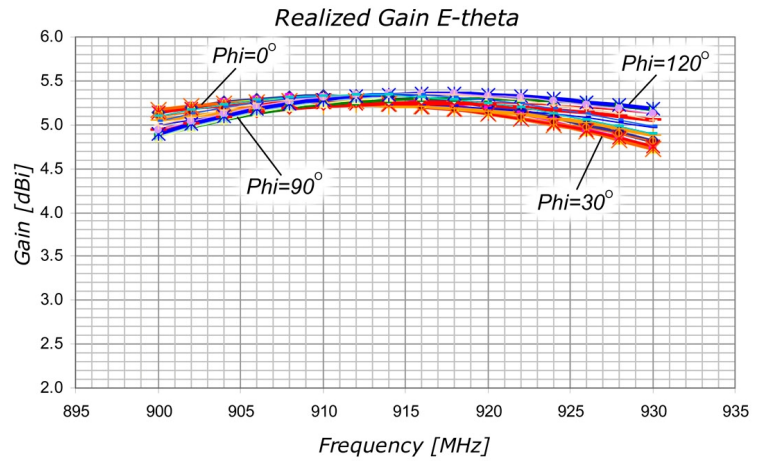
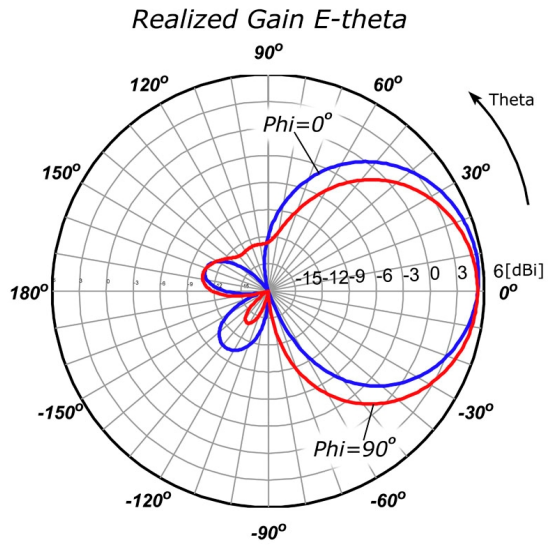
- Maximum achieved realized gain and frequency bandwidth within moderate volume
- Variation of Maximum Gain: less than $\pm 0.39\text{dB}$ in Z direction at any Phi angle within operational frequency band
- Variation of Maximum Gain: less than $\pm 0.5\text{dB}$ within frequency band 889-944MHz at fixed Phi angle
- Very low reflection of transmitter signal into receiver – return loss is more than 23dB
- Moderately Light Weight - 36 oz (980 g)



ANT-915CP-R

Specifications

Operational Frequency Band	902 - 928 MHz
Polarization	RHCP
Peak of Linear Polarized Realized Gain	+5.50 dBi
Maximum Axial Ratio at the bore-sight direction	0.42 dB
Width of radiation pattern at -3dB from maximum	66° ($\pm 33^\circ$)
Maximum input VSWR	1.15
Maximum Input Power	5.0 Watt
Weight	36 oz (980 g)
Protection Class	IP 65



Dimension of Antenna